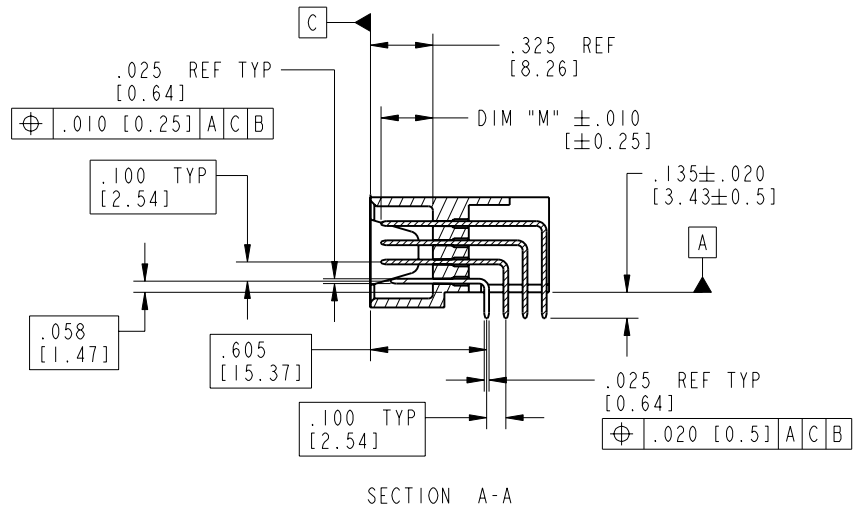




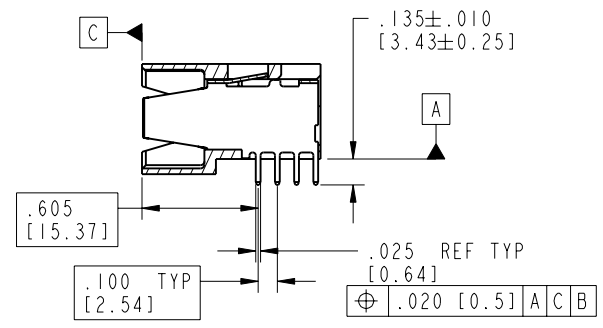
Tous droits strictement réservés. Reproduction ou communication o des liens interdite sous quelque forme que ce soit sans autorisation écrite du propriétaire. Propriete de c FCI. Droits de reproduction FCI.

All rights strictly reserved. Reproduction or issue to third parties in any form, whatever is not permitted without written authority from the proprietor. Property of FCI. Copyright FCI.

PRODUCT NUMBER  
51734-005\_\_



SECTION A-A



SECTION B-B

**CONFIDENTIAL**

mat'l code				tolerances unless otherwise specified		INSPECTION		 www.fciconnect.com	
ltr	ecn no.	dr	date	linear	.XX±.01/0.X±0.3	COPY	projection		
B				linear	.XXX±.005/0.XX±0.13	projection		title	5P + 32S + 5P
				angles	.XXX±.0020/0.XXX±0.051			product family	PwrBlade
				dr	M. MOSTOLLER 6/23/03	INCH/MM		size	210
				enrg	M. MOSTOLLER 6/23/03	scale	1:1	dwg no	51734-005
				chr	H. BREWBAKER 6/23/03			sheet	2 of 3
				appd	M. MOSTOLLER 6/23/03				
sheet index	revision sheet								

Pro/E

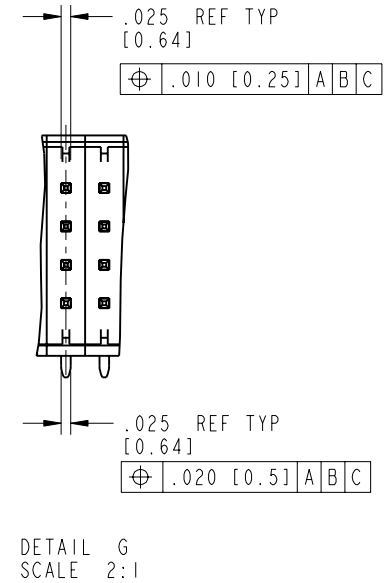
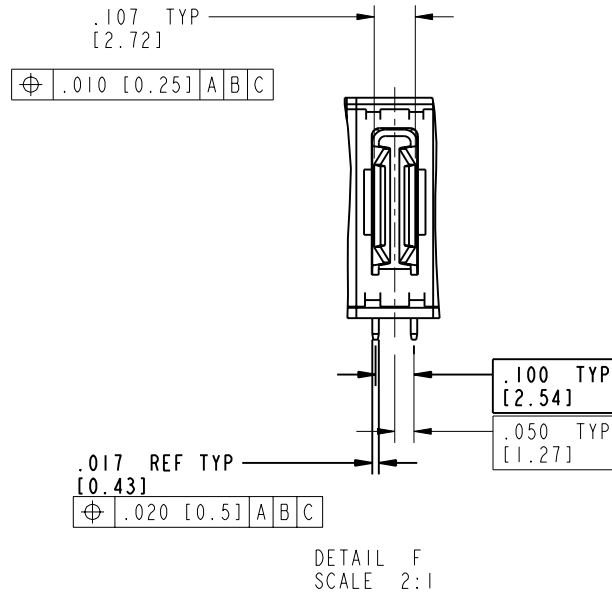
cage code 22526

Tous droits strictement reserves. Reproduction ou communication o des liers interdite sous quelque forme que ce soit sans autorisation ecrite du proprietaire. Propriete de c FCI. Droits de reproduction FCI.

**FCI**

All rights strictly reserved. Reproduction or issue to third parties in any form, whatever is not permitted without written authority from the proprietor. Property of FCI. Copyright FCI.

PRODUCT NUMBER  
51734-005\_\_



NOTES:

- DIMENSIONS AND TOLERANCES ARE IN ACCORDANCE WITH ASME Y14.5M, 1994 UNLESS OTHERWISE SPECIFIED.
- MANUFACTURER'S NAME, P/N AND DATE CODE TO APPEAR ON THIS SURFACE AS PER GS-24-002.
- PACKAGED PER BUS-14-437. LEAD FREE PRODUCTS DESIGNATED WITH AN "LF" SUFFIX. MUST COMPLY WITH GS-14-920.

**CONFIDENTIAL**

mat'l code				tolerances unless otherwise specified		INSPECTION	FCI <a href="http://www.fciconnect.com">www.fciconnect.com</a>			
lfr	ecn no.	dr	date	linear	.XX±.01/0.XX±0.3	COPY	title	5P + 32S + 5P RIGHT ANGLE SOLDER HEADER		
B					.XXX±.005/0.XX±0.13	projection				
				angles	.XXX±.0020/0.XX±0.051	INCH/MM	product family	PwrBlade		code
				dr	M. MOSTOLLER 6/23/03	scale	size	dwg no	210	
				engr	M. MOSTOLLER 6/23/03	1:1	A	51734-005		sheet
				chr	H. BREWBAKER 6/23/03					3 of 3
				appd	M. MOSTOLLER 6/23/03					
sheet index	revision sheet									

Pro/E

cage code 22526

**PDM: Rev:B**

STATUS: **Released**

Printed: Aug 14, 2007